

CEMENT

Advanced Gearing Solutions
for Cement Applications



HORSBURGH & SCOTT
DELIVERING THE DIFFERENCE

*Delivering the Difference with
the company most qualified to
handle all your gearing needs.*

CEMENT APPLICATIONS

- Ball Mills
- Kilns
- Pulverizers
- Conveyor Drives
- Roller Press Drives
- Center Drives
- Vertical Roller Mills
- Dryers
- Rod Mills
- Pebble Mills

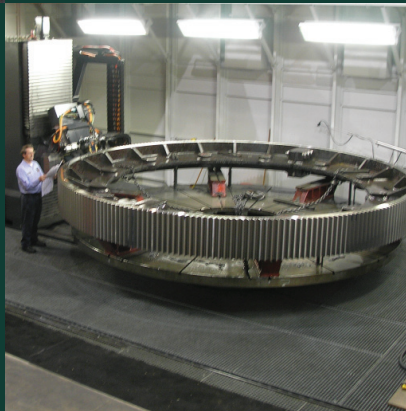
HIGHEST QUALITY
CUSTOM GEARING



24/7 EXPERT
ON-SITE
DIAGNOSTICS,
MAINTENANCE
AND REPAIR



REVERSE ENGINEERING
AND PERFORMANCE
UPGRADES FOR
GEARBOX REBUILD
AND REPAIR



EXPERT GEAR
AND GEARBOX
EVALUATION




STREAMLINE CEMENT PROCESSING OPERATIONS WITH **Custom Gearing That Can Stand up to Demanding Plant Usage**

Horsburgh & Scott understands that in the cement industry, lost production is very costly. We have extensive experience in engineering, manufacturing, and rebuilding large gear systems.

With 135 years of experience in gearing technology, we continue to innovate to achieve the best production processes in the industry. With a strong focus on engineering, we have provided our clients with gearing at maximum efficiency for a great value.


PRODUCTS

- Spur Gears
- Helical Gears
- Planetary Gears
- Herringbone Gears
- Ring Gears
- Pinions and Shafts
- Gearbox Components
- Power Transmission Assemblies
- Gear Drives



**DROP-IN
REPLACEMENT
DRIVES AND
ON-SITE REPAIRS**

**GEAR DRIVE
SYSTEMS AND ALL
OTHER GEARING
FOR CEMENT
PROCESSING**



**THE EXPERT IN
REBUILDS AND
UPGRADES**



Our Unique Expertise to Keep Your Cement Processing Operations Up and Running

Horsburgh & Scott specializes in manufacturing gears and gearboxes for many applications. We have gearing solutions for cement's toughest challenges.

BALL MILL DRIVES

We manufacture, repair, and install ball mill drives with improved performance and longer life.

KILNS

We re-engineer and rebuild gearboxes to brand new condition that function better and more efficiently than the original design.

CONVEYOR DRIVES

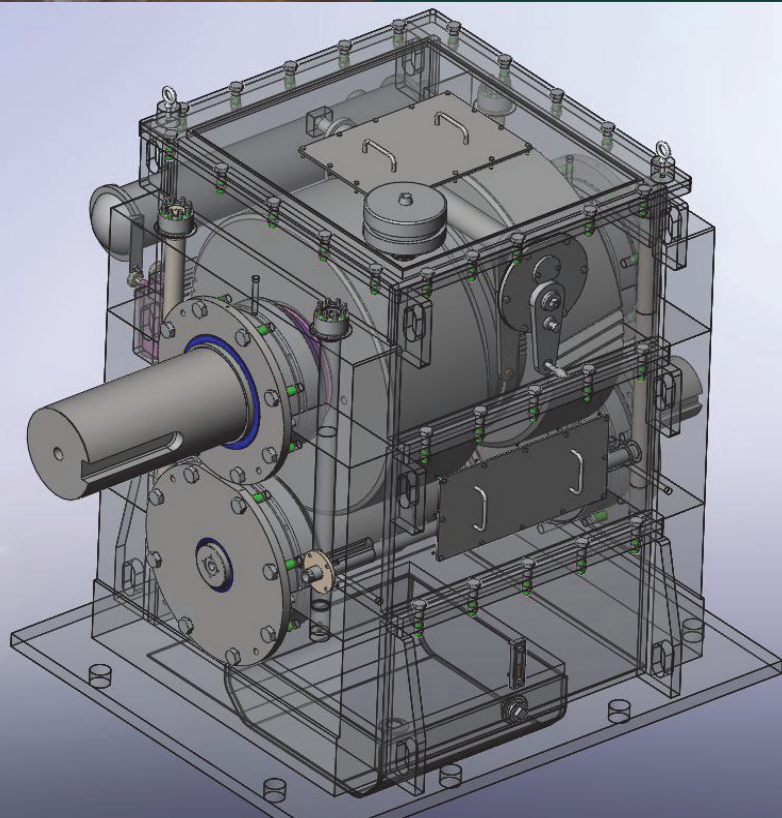
We are experts in high stress processing gearing and know the gear strength and precision necessary for cement plant operations.

LARGE GEAR DESIGN AND MANUFACTURING

We have the specialized equipment and experience to handle your largest gears and gearboxes.



**MORE ENGINEERS
ON STAFF THAN
ANY OTHER
COMPANY IN
GEARING**



**EQUIPMENT TO
HANDLE EVEN THE
LARGEST DRIVES
AND GEARBOXES**

Delivering the Difference for
Higher Productivity



HORSBURGH & SCOTT
DELIVERING THE DIFFERENCE

Over 135 Years of Industry Leadership

Horsburgh & Scott has 135 years of engineering expertise in high torque, large gear drive systems. We use the world's most advanced gear cutting equipment and can duplicate virtually any gear geometry.

ADVANTAGES

- Maximize profitability with gear and gearbox re-engineering and performance upgrades
- Custom gear design, fabrication and manufacturing
- Dependable on-time delivery
- Most experienced engineers in the industry
- Responsive 24/7 field service
- Infield inspections on ring gears and pinions
- Uncompromised quality and durability you can depend on

