

# MARINE

Advanced Gearing Solutions  
for Marine Vessels



**HORSBURGH & SCOTT**  
DELIVERING THE DIFFERENCE

*Delivering the Difference with  
the company most qualified to  
handle all your gearing needs.*

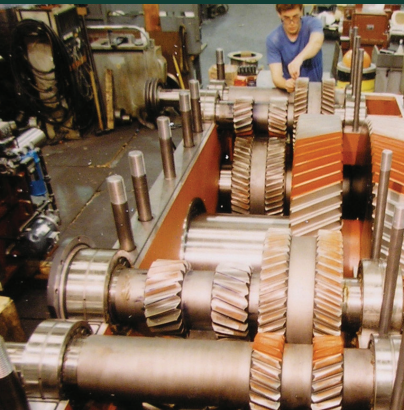
## MARINE APPLICATIONS

- Propulsion drives
- Pump drives
- Winch drives
- Dredge pumps
- Alignment free drives
- Ladder drives
- Mill stands, coilers
- Fluid coupling replacements for Falk, Voith

ABS-CERTIFIED  
GEAR  
MANUFACTURER



24/7 EXPERT  
ON-SITE  
DIAGNOSTICS,  
MAINTENANCE  
AND REPAIR



REVERSE ENGINEERING  
AND PERFORMANCE  
UPGRADES FOR  
GEARBOX REBUILD  
AND REPAIR



EXPERT GEAR  
AND GEARBOX  
EVALUATION

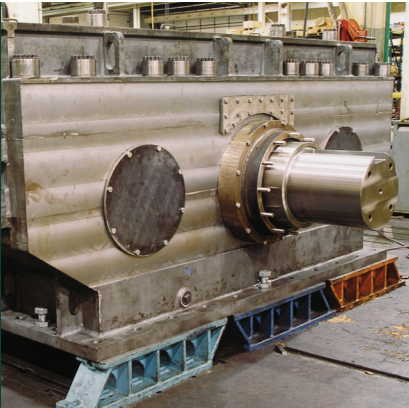


# PREVENT DOWNTIME WITH **ABS-certified Gears That Stand Up to Demanding Usage**

Horsburgh & Scott is an ABS-certified gear manufacturer that provides gearing solutions and service that ensure reliable performance and maximum power for marine vessels. Our experienced and knowledgeable service technicians can reverse engineer gear and gear drives, and provide drop-in replacement drives and on-site repairs for commercial and military marine vessels.

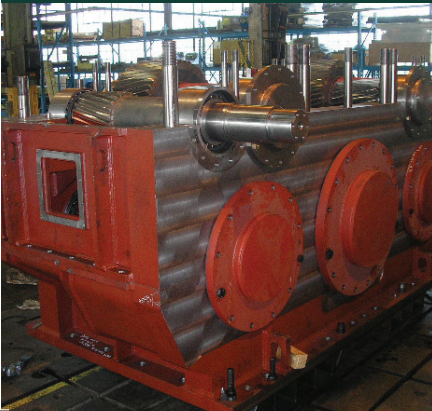
## **SERVICES**

- Gear inspections
- Gearbox no-load spin testing
- Detailed bore scope inspections
- Non-destructive testing
- FARO Arm on-site measurement for reverse engineering competitive gear drives and gearing
- Laser alignment of shafts
- New bed/sole plates
- Field service



**DROP-IN  
REPLACEMENT  
DRIVES AND  
ON-SITE REPAIRS**

**GEAR DRIVE  
SYSTEMS AND ALL  
OTHER GEARING  
FOR MARINE  
APPLICATIONS**



**THE EXPERT IN  
REBUILDS AND  
UPGRADES**



# Our Unique Expertise to Keep Your Maritime Operations Running

Horsburgh & Scott understands that in the maritime industry downtime is very costly. We have extensive experience engineering, manufacturing and rebuilding ABS-certified gearing systems.

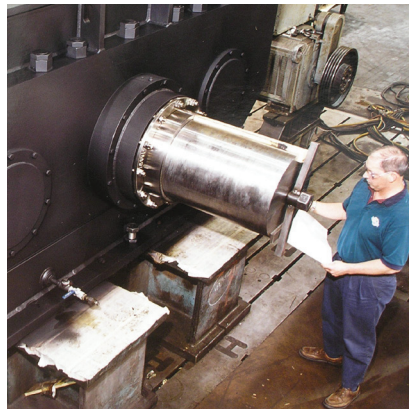
## ADVANTAGES

**MAXIMIZE PROFITABILITY** with gear and gearbox re-engineering and performance upgrades

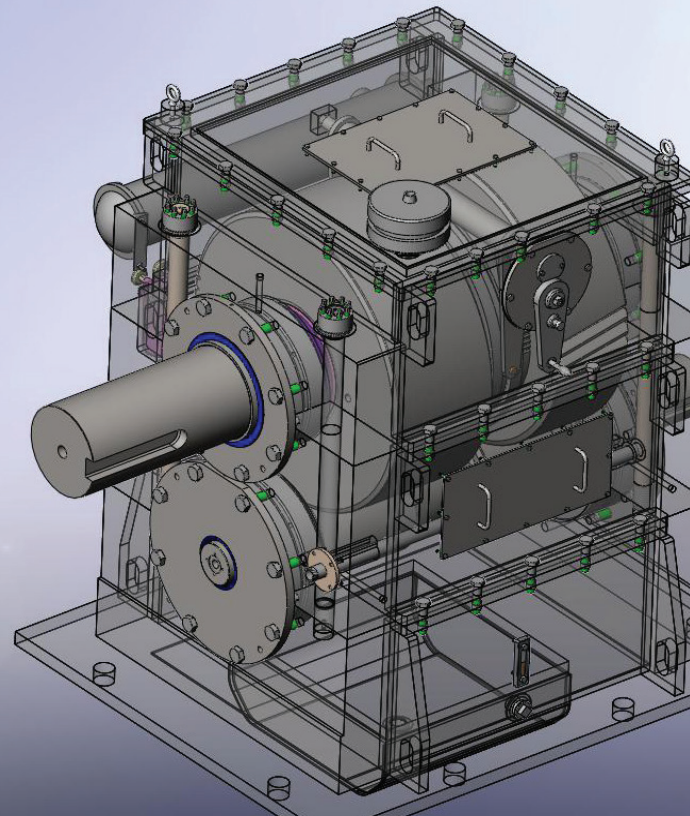
**INCREASED YIELD** and decreased operating costs

**PREVENTATIVE MAINTENANCE** programs increase uptime

**FASTEST TURNAROUND TIME** in the gearing industry



MORE ENGINEERS  
ON STAFF THAN  
ANY OTHER  
COMPANY IN  
GEARING



EQUIPMENT TO  
HANDLE EVEN THE  
LARGEST DRIVES  
AND GEARBOXES

Delivering the Difference for  
Higher Productivity



**HORSBURGH & SCOTT**  
*DELIVERING THE DIFFERENCE*

## Over 135 Years of Industry Leadership

Horsburgh & Scott has over 135 years of engineering expertise in high torque, large gear drive systems. We use the world's most advanced gear cutting equipment and can duplicate virtually any gear geometry.

### TURNKEY SOLUTIONS

- Gears up to 40 ft (12m) in diameter
- Grinding to AGMA Class 14
- Heat treating and carburizing up to 50,000 lbs (22,000 kg)
- Induction hardening to 5m in diameter or 30,000 lbs (13,000 kg)
- Quality measurements within 2 microns
- Inspection and testing

