

The company most qualified to handle all your gearing needs.



HORSBURGH & SCOTT
DELIVERING THE DIFFERENCE

SUGAR

HORSBURGH & SCOTT OFFERS THE INDUSTRY'S LARGEST AND MOST EXPERIENCED TEAM OF ENGINEERS FOR GEAR AND GEARBOX DESIGN AND MANUFACTURING.

LARGE SELECTION OF HIGH-QUALITY STANDARD GEARBOXES for sugar processing

MAXIMIZE PROFITABILITY with gear and gearbox re-engineering and performance upgrades

FASTEST TURNAROUND TIME in the gearing industry

10% MORE YIELD per grinding wheel

90% LESS MAINTENANCE COST with less than 100 gallons of oil per change interval

EXPERT GEAR AND GEARBOX EVALUATION



24/7 EXPERT ON-SITE DIAGNOSTICS, MAINTENANCE AND REPAIR



REVERSE ENGINEERING AND PERFORMANCE UPGRADES FOR GEARBOX REBUILD AND REPAIR



100,000+ HOURS OF CONTINUOUS GEAR DRIVE OPERATION



ADVANCED GEARING SOLUTIONS FOR SUGAR

HORSBURGH & SCOTT HAS ADVANCED EQUIPMENT AND EXPERT ENGINEERS AND TECHNICIANS THAT CAN ACCURATELY DIAGNOSE ANY GEARBOX ISSUE AND SUGGEST THE BEST POSSIBLE OPTION FOR REPAIR, MAINTENANCE OR REPLACEMENT.

We understand that lost production time in sugar processing is costly. We manufacture replacement gears, repair and rebuild gearboxes, and improve gearing systems that can handle the high demands and stresses of the sugar refinery process.

APPLICATIONS

- Sugar mill main drives
- High speed mill gearboxes
- Low speed mill gearboxes
- Split power path main mill drives
- Planetary gear drives
- Knife drives
- Dryer table drives
- Steam turbine drives
- Feeder table drives



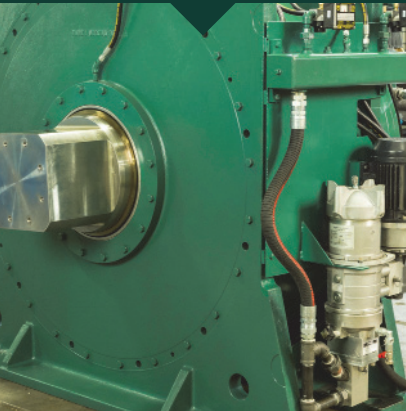
SPLIT-PATH GEAR DRIVES

We repair and replace split-path gear drives as well as parallel path and planetary drives.



GEAR DRIVE SYSTEMS

and all other gearing for sugar production.



THE EXPERT IN DRB-4571
rebuilds and upgrades.

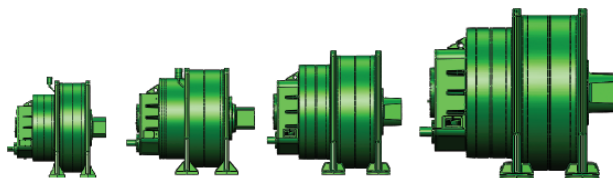


SUGAR

HORSBURGH & SCOTT SPECIALIZES IN GEARBOX REBUILD, REPAIR AND REDESIGN. WE HAVE BEEN IN BUSINESS FOR NEARLY 130 YEARS AND HAVE SEEN ALMOST EVERY TYPE OF GEAR IN THE SUGAR PROCESSING INDUSTRY.

WE PROVIDE A FULL RANGE OF STANDARD PLANETARY GEAR DRIVES TAILORED TO YOUR APPLICATION

INPUT hp (kW)	GRINDING CAPACITY tonnes/day	OUTPUT TORQUE RANGE M in-lbs (kNm)	OUTPUT SHAFT DIMENSION inches (mm)
600 (400)	6,500 - 8,500	9.4(1060) - 15.1 (1710)	14 (355)
800 (600)	8,000 - 10,500	12.6 (1420) - 20.1(2280)	15 (381)
1000 (750)	9,000 - 12,000	15.7 (1780) - 25.2(2850)	15 (381)
1250 (900)	11,500 - 14,000	19.7 (2225) - 31.5(3560)	18 (457)
1500 (1100)	12,500 - 15,000	23.6 (2670) - 37.8(4270)	21 (533)
1750 (1300)	14,000 - 17,000	27.5 (3100) - 44.2(5000)2	5 (635)
2000 (1500)	15,000 - 19,000	31.5 (3100) - 44.2(5000)	30 (762)



600 hp

1000 hp

1500 hp

2000 hp

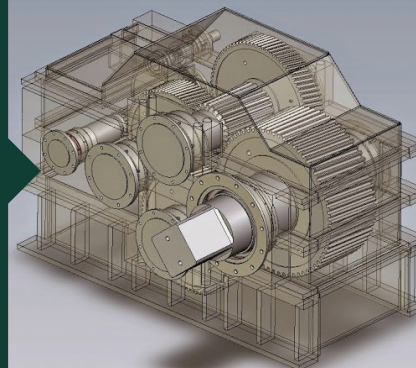
PRODUCTS

- Spur Gears
- Helical Gears
- Planetary Gears
- Herringbone Gears
- Ring Gears
- Pinions and Shafts
- Gearbox Components
- Power Transmission Assemblies
- Gearboxes and Drives Up to 5000 HP

EXPERTISE

- Engineering analysis, gearbox evaluation and reverse engineering of all brands.
- Drop-in replacement gear drives.
- 24/7 global field service.
- Rush breakdown repairs

CUSTOM AND STANDARD GEAR, DRIVE AND GEARBOX SOLUTIONS



EQUIPMENT AND EXPERTISE TO HANDLE EVEN THE LARGEST DRIVES AND GEARBOXES



MORE ENGINEERS ON STAFF THAN ANY OTHER COMPANY IN GEARING

Delivering the Difference for Higher Productivity

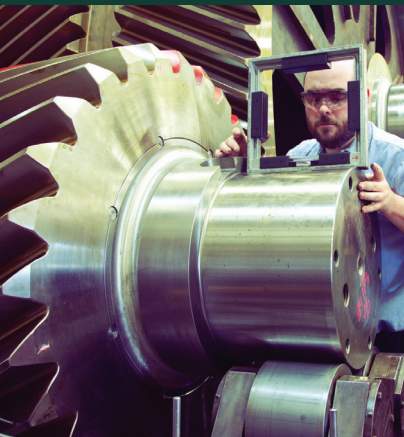


HORSBURGH & SCOTT
DELIVERING THE DIFFERENCE

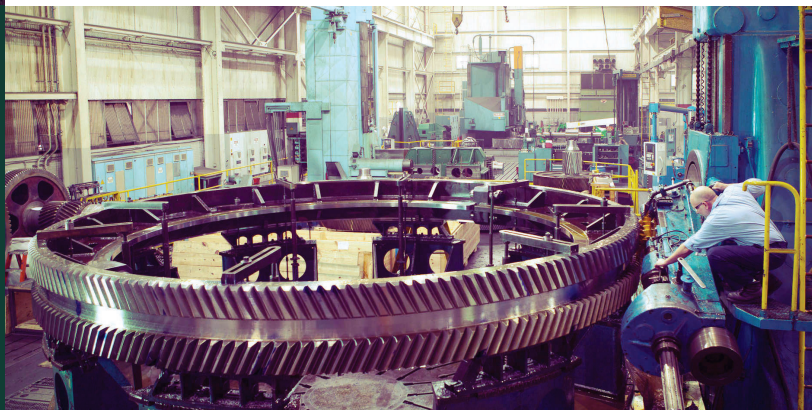
Horsburgh & Scott has nearly 130 years of engineering expertise in high torque, large gear drive systems. We use the world's most advanced gear cutting equipment and can duplicate virtually any gear geometry.

CAPABILITIES

- Gears up to 40 ft (12m) in diameter
- Grinding to AGMA Class 14
- Heat treating and carburizing up to 50,000 lbs (22,000 kg)
- Induction hardening to 5m in diameter or 30,000 lbs (13,000 kg)
- Quality measurements within 2 microns



**GEARING
SOLUTIONS FOR
SUGAR MILLS
AROUND THE
WORLD**



 216/431/3900

 inquiry@horsburgh-scott.com

 horsburgh-scott.com

5114 Hamilton Avenue
Cleveland, Ohio 44114
USA